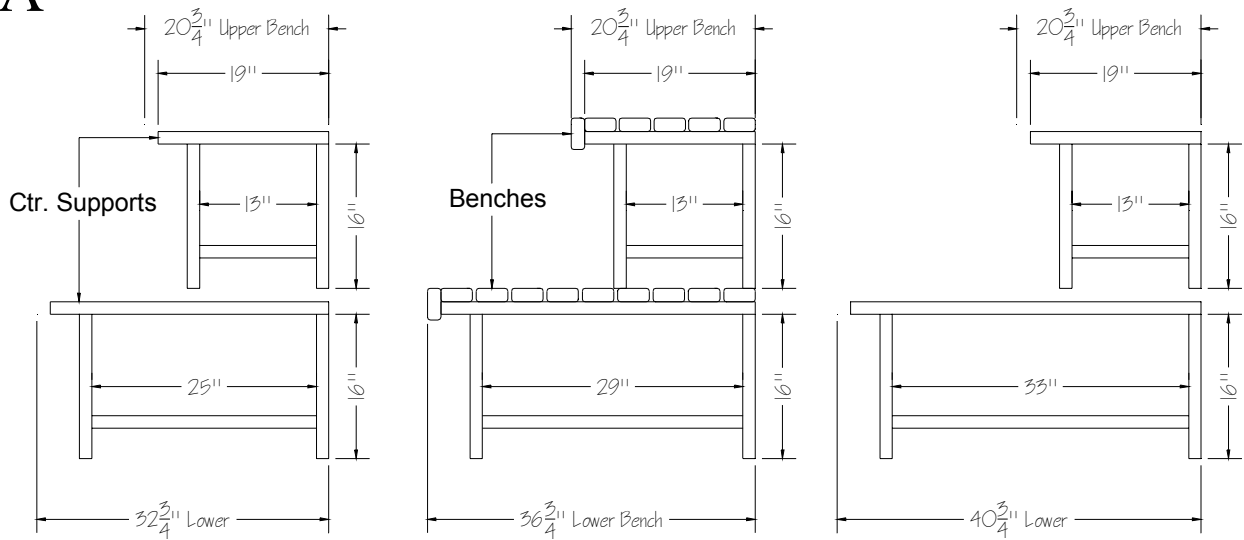


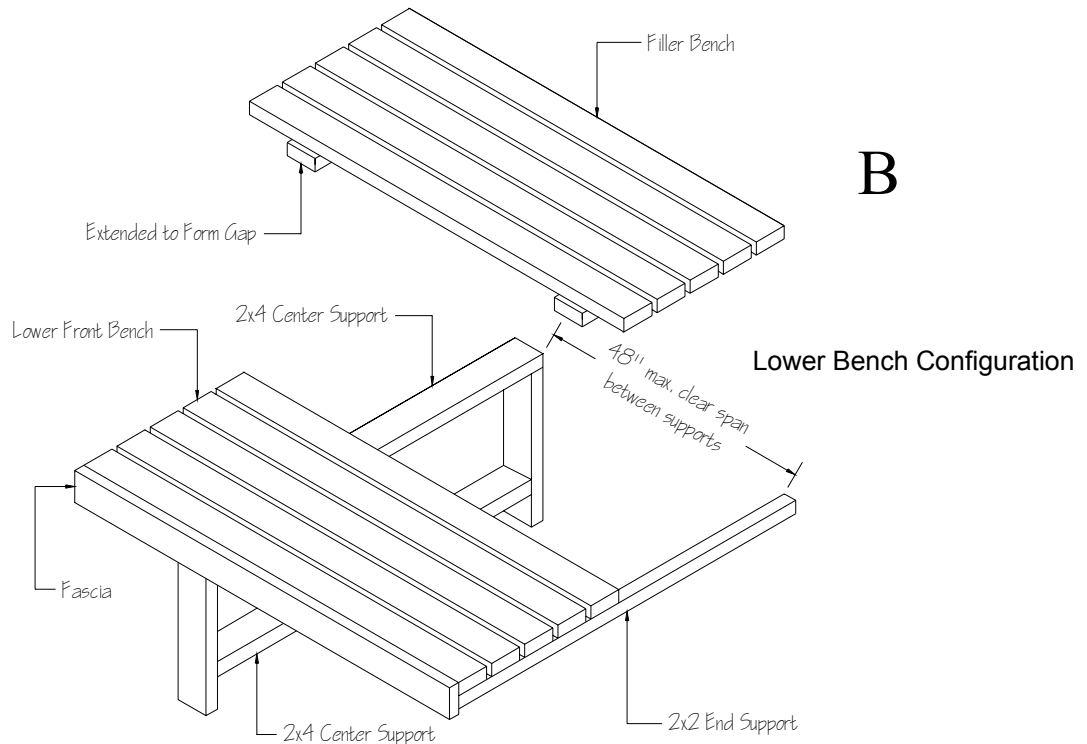
LUXURY BENCH ADDENDUM

- Luxury benches are generally constructed with 20-3/4" uppers and the lowers can be either 32-3/4", 36-3/4" or 40-3/4". (figure A)
- 2x4 center supports must be used if the bench spans more than 48" between supports. (figure B)

A



B



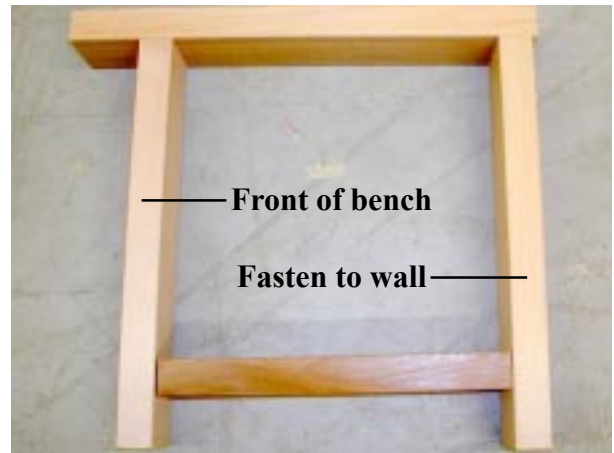
1

If you have a panel-built room pencil marks have been placed on the panels at 17-3/8" and 36-1/8" off the floor to position your side 2x2 upper & lower bench supports. If your room is a custom cut you will need to mark the walls yourself.



2

If supplied, assemble your upper and lower center supports with the provided 3" screws. (see figure A)



3

With the provided 3" screws attach your upper and lower 2x2 supports to the walls. Make sure they are level and pre-drill the holes to avoid splitting the wood.



4

Place your lower filler bench on the lower bench supports. Note that your lower filler bench will have the 2x4 framework sticking out of one side. This will provide the proper spacing when the lower front bench is set into place. (see figure B)



5

Your lower bench center supports will be positioned to maintain no greater than a 48" maximum clear span between supports. (see figure B) With the provided 3" screws, attach your center supports to the walls. (see image 2)



6

Slide your lower filler bench to the back wall and set your lower front bench onto the supports. Make sure the fascia containing the wood button-plugs is towards the front.



7

Slide your lower front bench tight against your lower filler noting that the 2x4 extended framework creates the proper gap between the top boards. (see figure B)



8

Your upper benches contain no fillers. They will be installed similar to the lowers but the upper center bench supports will rest on the lower benches.

NOTE: Make sure to align your center upper supports directly above your lower center supports to ensure proper strength.

