

AMEREC AUTOMATIC DRAIN OPTION KIT

MODEL ADK

FOR USE WITH AK, AR OR AG GENERATORS WITH PART #'s
9005-XXX ONLY
(GENERATORS WITH BLACK PCA'S)

SAVE THESE INSTRUCTIONS

**READ ALL INSTRUCTIONS CAREFULLY
BEFORE INSTALLATION.**

SECTION 1: GENERAL INFORMATION

AMEREC Steam Generators are listed by Underwriters Laboratories. The Underwriters Laboratories listing will remain valid so long as the Option Kit is installed per these instructions.

This ADK Option Kit upgrades a Generator to automatically flush and drain twenty (20) minutes after the last use. It will leave the tank empty after the flush and drain cycle. The ADK Option is used for ganged Generators when:

1. Any Generator is 1/4" higher or lower than any other Generator;
2. Any Generator's drain nipple is more than ten (10) running feet from the drain valve inlet;
3. Any Generator has more than three (3) 90° bends (elbows or tee's) between it and the drain valve inlet.

WARNING

This Option kit must be installed by a factory authorized service person. Failure to do so voids the basic Generator's UL listing and all warranties.

Electrical grounding is required on all AMEREC Steambath Generators.

Do not remove or change the Generator's grounding unless specifically directed to do so by these instructions.

All electrical supplies to the Generator should be disconnected before and during the installation of this Option.

All wiring must be installed by a licensed electrical contractor in accordance with local and national codes.

All plumbing must be installed by a licensed plumber in accordance with local and national codes.

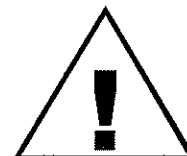


DIAGRAM 1

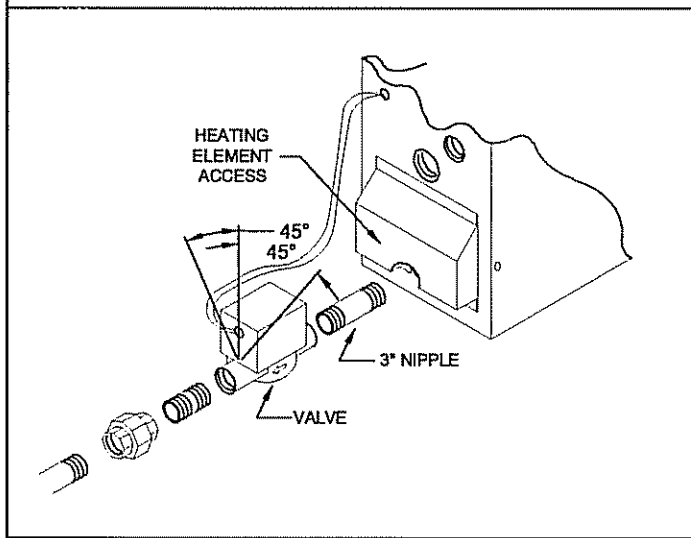


DIAGRAM 2

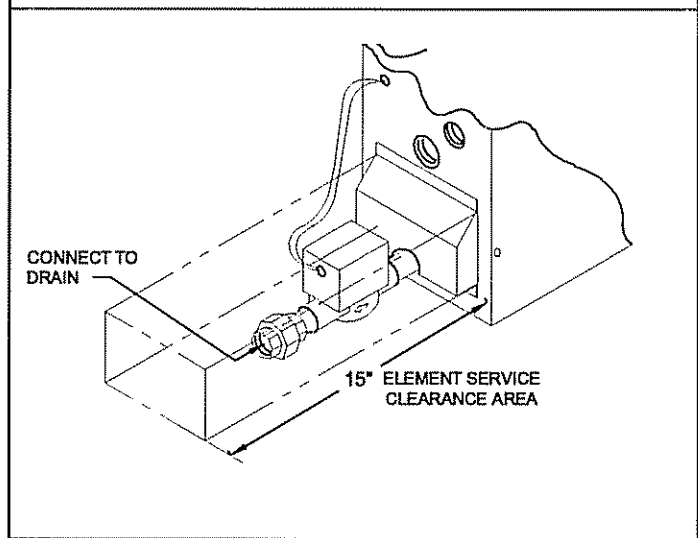


DIAGRAM 3

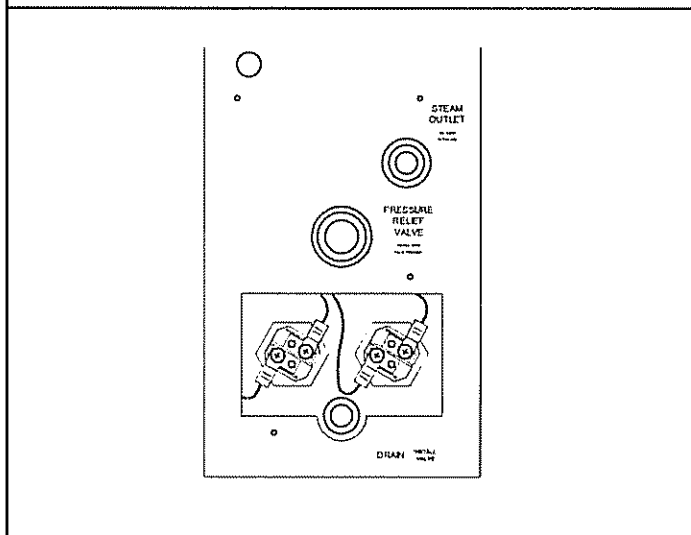


DIAGRAM 4

BENCH OR FLOOR MOUNT

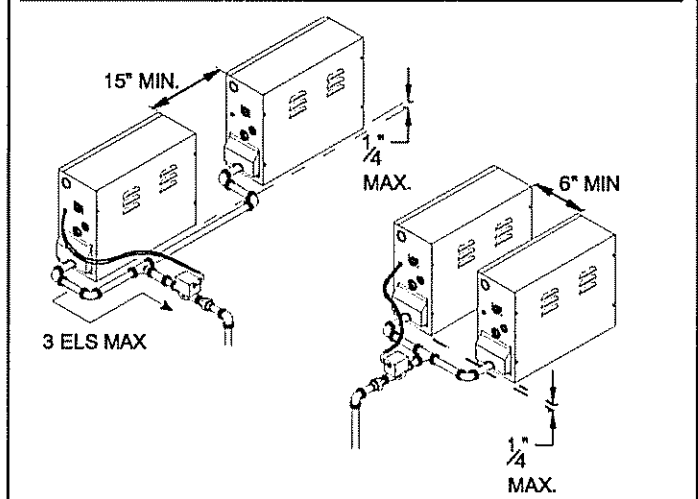


DIAGRAM 5

WALL MOUNT - VERTICAL

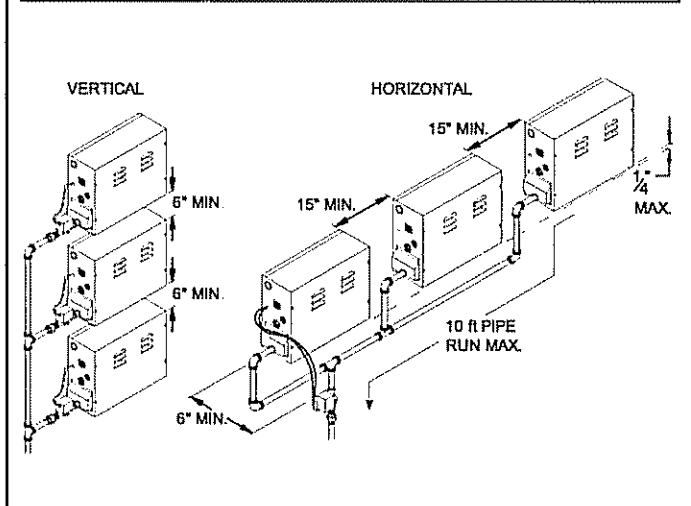
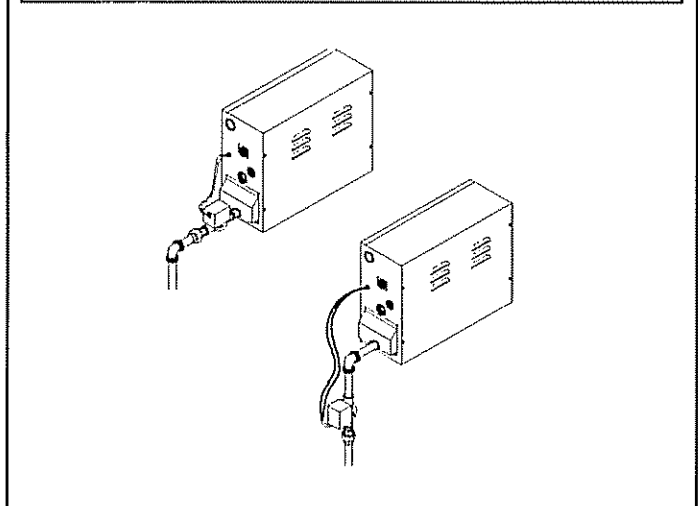


DIAGRAM 6

WALL MOUNT - HORIZONTAL



SECTION 2: INSPECT EXISTING LOCATION

- 1 Count the total number of Generators at this site
- 2. If there are two (2) or three (3) Generators this kit may be installed in an AG or AM Generator or both.

SECTION 3: MULTIPLE GENERATOR PLUMBING INSTRUCTIONS

All plumbing shall be installed by a licensed plumbing contractor and conform to local and national codes.

MATERIAL (Locally available)

- 1/2 inch copper pipe for the tank drain
- Fittings for drain as required
- Pipe thread compound or teflon tape

IMPORTANT

Detailed drain connection information is in the Installation Instructions packed with the Generators. The instructions must be used to assure proper drain operation.

1 If this is an old installation being upgraded, it can require up to three (3) automatic drain valves. Review the following conditions to determine the number of valves required.

A Any Generator is 1/4" higher or lower than any other Generator

B Any Generator's drain nipple is more than ten (10) running feet of pipe from the motorized drain valve inlet

C. Any Generator has more than three (3) 90° bends (elbows or tee's), between it and the drain valve inlet.

IMPORTANT

If additional drain valves or automatic drain valve kits are required, call AMEREC's Service Department at 1-800-331-0349.

2. Install all automatic drain valves provided. All valves should be installed as shown in Diagrams 1 thru 6. All Generators that do not exceed the limits of 2A, 2B and 2C can be ganged to a single valve as shown in Diagram 4 & 6

IMPORTANT

All motorized drain valve outlets must be within six (6) feet and one (1) 90° bend of the site gravity drain

Use pipe thread compound or teflon tape on all threaded fittings

SECTION 4:

This section intentionally left blank

WARNING

All plumbing must be installed by a licensed plumber in accordance with local and national codes.

Boiling water may be discharged from the drain. Draining the tank into the Steam Room may present a scald hazard and/or damage materials used to construct the Steam Room.

DIAGRAM 7

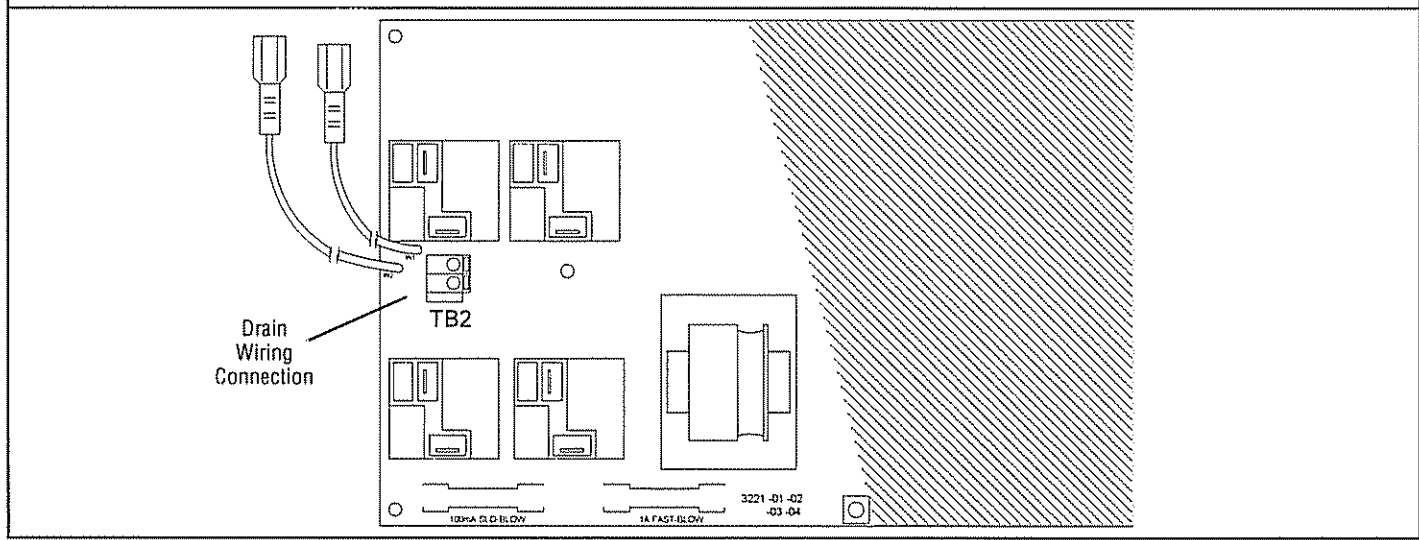


DIAGRAM 8

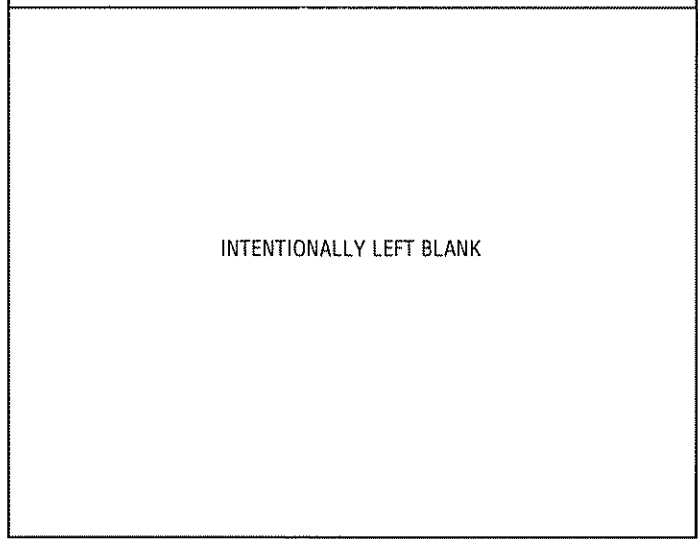


DIAGRAM 9

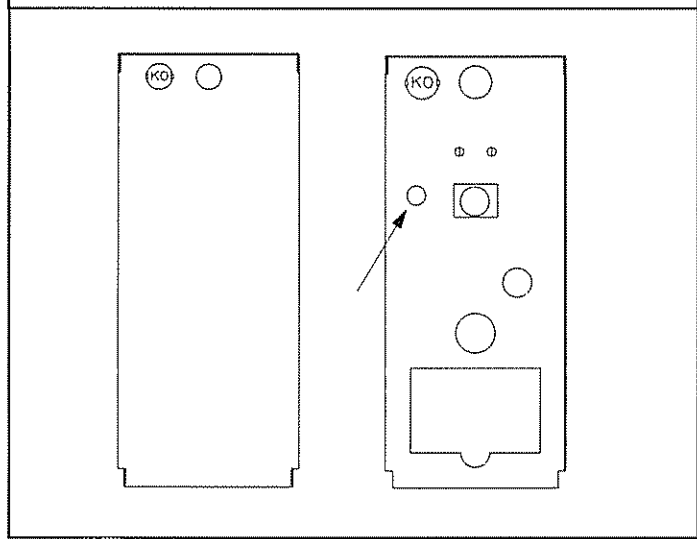


DIAGRAM 10

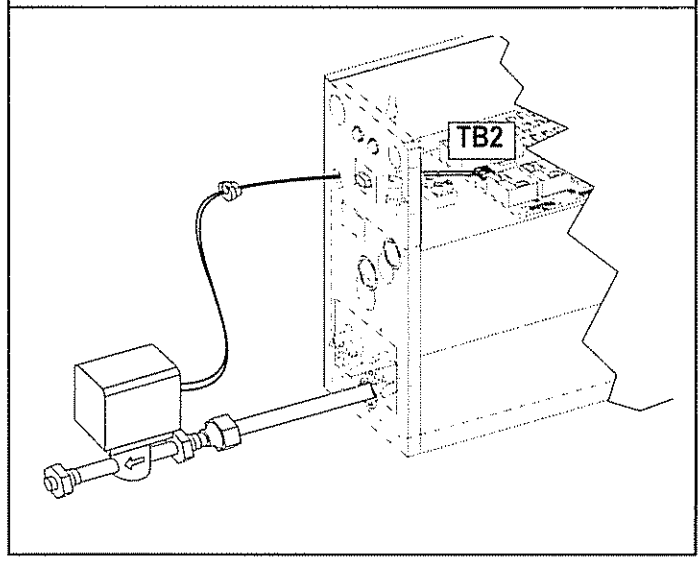
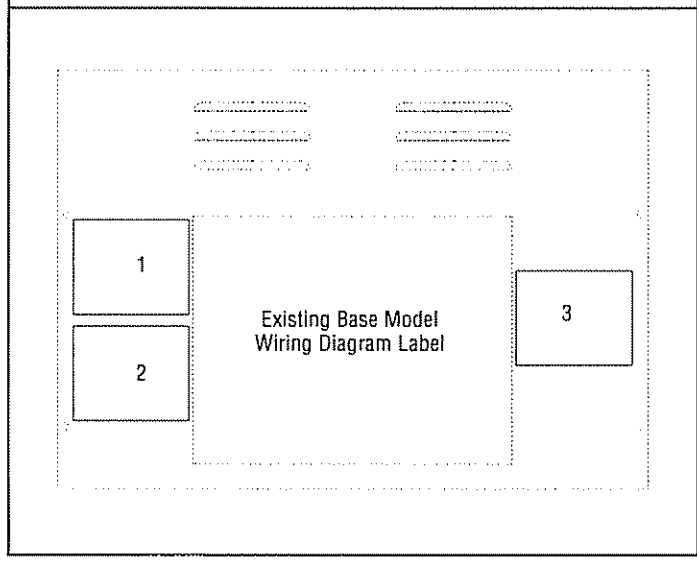


DIAGRAM 11



SECTION 5: WIRING

SEE DIAGRAMS 7, 9 & 10

1. The safety of this equipment requires power and control wiring be segregated into the areas shown in Diagram 7
2. Route the drain valve wires through the 9/16" knock out near the steam outlet. See Diagram 9 & 10. Use the strain relief provided. Route the wires through the bushing in the chassis into the TB2 drain terminal block on the "black" PCA. See Diagram 10
3. For multiple Generator installations check for other motorized drain valves in the system. All drain valves connect to TB2 terminal block on "black" PCA's.

SECTION 6: INSTALL WIRING DIAGRAM LABEL

SEE DIAGRAM 11

1. Check the inside of the Generator front cover.
2. Select an unused location for the ADK Wiring Diagram label provided
3. Check/remove any dirt or grease in the selected mounting location
4. Peel off the label's backing and affix the label to the front cover.
5. Replace the cover onto the Generator and secure with the six (6) screws

SECTION 7: OPERATIONAL TEST

1. Assure power and water are on. Wait at least two (2) minutes from power on before continuing.
2. Turn on the Generator(s) using the owner's control. Allow the tank(s) to fill completely.
3. Turn off the Generator(s) using the owner's control.
4. Twenty minutes (20) after the turn off action, the Generator(s) shall fill with water for forty (40) seconds then stop.
5. Within three (3) minutes the Generator(s) shall fill with water for twenty (20) seconds then stop.
6. During steps 4 and 5 the Generator shall drain and no water shall come out the steam head(s).

The unit is now ready for operation.

WARNING

All electrical supplies to the Generator should be disconnected before and during installation of this Option.

User Shock Hazard! 220V wires attached to this Option must be routed per these instructions.

User Shock Hazard! If existing wiring is disturbed assure that the final installation meets Diagram 11.

SECTION 8: TROUBLESHOOTING GUIDE

There are no user serviceable parts in the Generator. All repair should be performed by a qualified service person. For additional assistance or the factory authorized service person nearest you call AMEREC's Service Department at 1-800-331-0349. The Troubleshooting Guide below is meant as a general aid only. Follow ACTION TO BE TAKEN in order until the problem is resolved. Depending on the results of Troubleshooting replace the PCA's by following the basic PCA installation instructions of Sections 4 and 5. If the problem is still not corrected replace the Motorized Drain Valve Assembly by following the basic installation instructions in Sections 3.

SYMPTOMS	PROBABLE CAUSES	ACTION TO BE TAKEN
All Drain Valves do not close	PCA faulty or Drain Valve faulty	1. Identify and replace the PCA 2. Replace the Motorized Drain Valve
All Drain Valves stay closed.	PCA faulty or Drain Valve faulty	1. Identify and replace the PCA 2. Replace the Motorized Drain Valve.
Drain Valves appear to open but water comes out any steam head during flush and drain cycle	Drain Plumbing	1. Correct drain plumbing using this document. Correct ganged or multiple Generators using the Installation Instructions
The Drain Valve does not operate properly	PCA faulty or AG Cable faulty	1. Check that the AG Cable between the AG PCA and the Ak or AR PCA is installed and secure at both ends 2. Replace in order the AG PCA, AK or AR PCA
All other problems	Various	1. Call the AMEREC Service Department at 1-800-331-0349

DIAGRAM 12

Automatic Drain Wiring Diagram

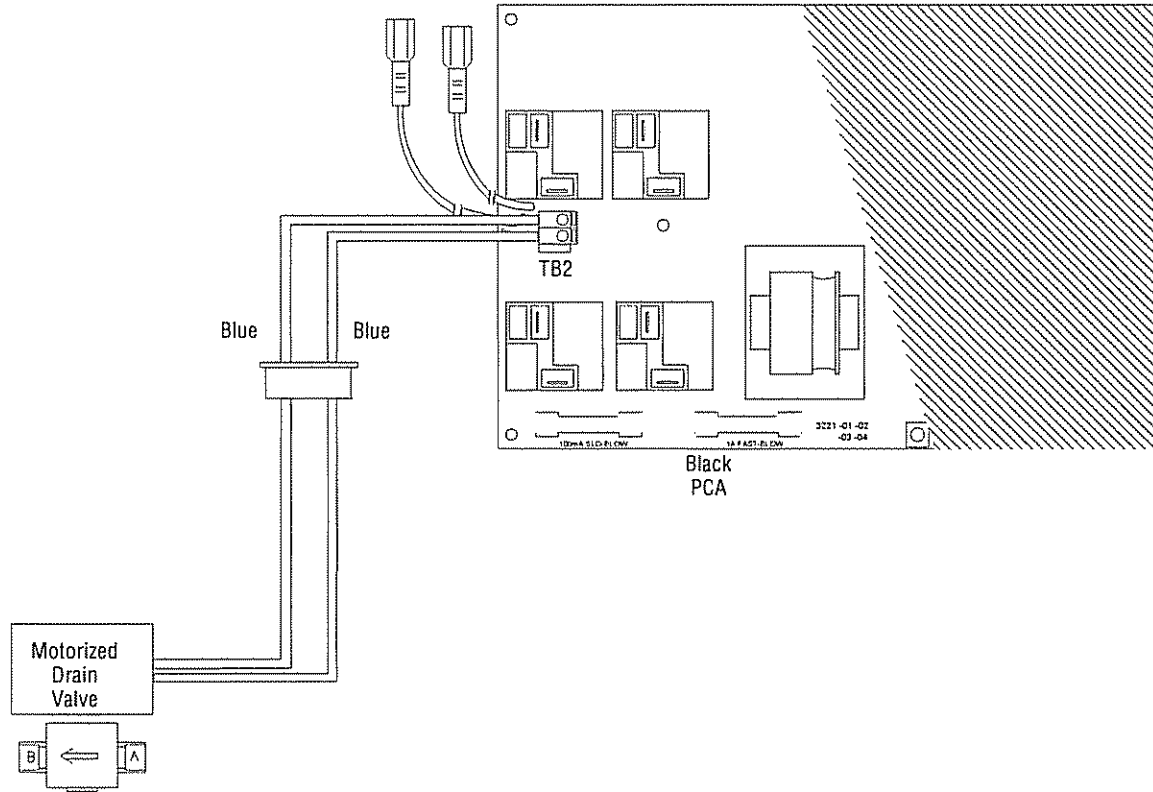


DIAGRAM 13

EXPLODED VIEW

NUMBER	NAME	DESCRIPTION
1	LABEL	WIRING DIAGRAM
3	DRAIN VALVE	MOTORIZED
4	STRAIN RELIEF	BLACK

